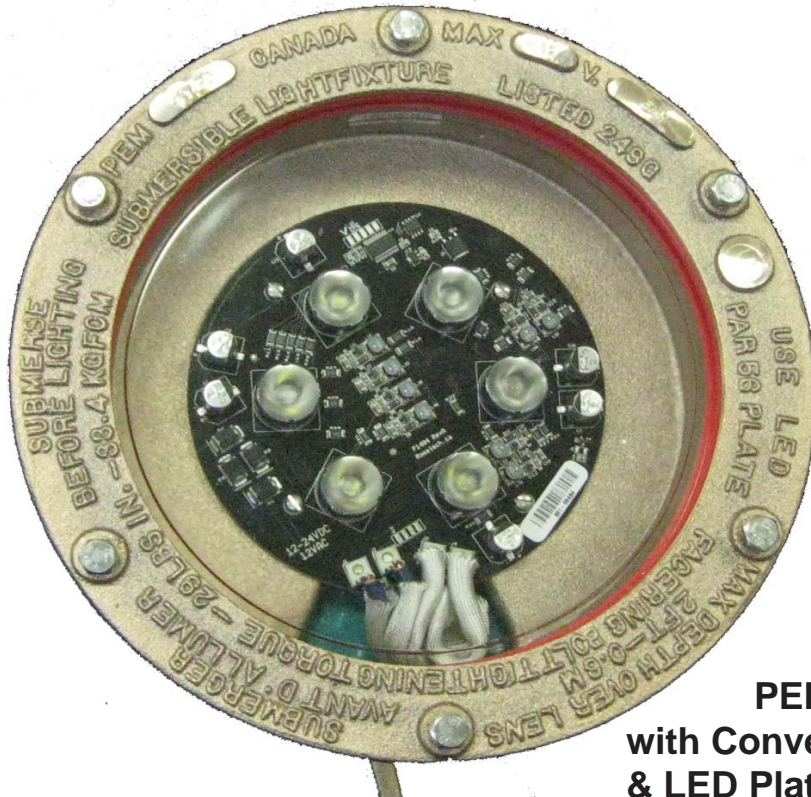


PEM E 1450

SUBMERSIBLE LED LIGHT FIXTURE, VOLTAGE: 12 VAC, 12 VDC OR 24 VDC



**PEM E1450
with Convex Lens
& LED Plate**

Copyright © PEM Fountain Co - 2018 Printed in Canada

SUBMERSIBLE LIGHT FIXTURE FOR LOW VOLTAGE.

PEM E 1450-3 RGB - 6 x 7.5W - 45W , For DMX, 3 Channel Control with 5 Cable conductors.

PEM E 1450-4 RGBW - 6 x 10W - 60W , For DMX, 4 Channel Control with 5 Cable conductors.

PEM E 1450-6 ,warm White, 6 x 10W - 60W for direct switching, with 3 cable conductors.

PEM E 1450-6A, warm White,6 x 10W - 60W for DMX 1 Channel Control with 5 cable conductors.

PEM E 1450-8, cold White, 6 x 10W - 60W for direct switching, with 3 cable conductors.

PEM E 1450-8A,cold White, 6 x 10W - 60W for DMX 1 Channel Control with 5 cable conductors, **FIXTURE HOUSING & FACERING:**

PEM E1450-5 & E 1450-5,6,6A, 8 & 8A Light Fixtures are for fresh water in Bronze ,Stainless Steel fitted.

PEM E1450-5 & E1450-5,6 & 8 Light Fixtures (Marked:SW) for saltwater are available, please enquire.

LENS: 213mm / 8.375" Diameter. Convex clear cast glass,heat resistant and tempered.

OPTIONAL FLAT CLEAR GLASS LENS, heat resistant and tempered.

OPTIONAL LENS ROCK GUARD, required in USA .

LENS GASKET : High Temperature Silicone Rubber, 'U' shaped gasket with unique safety sealing lips .

ELECTRICAL CABLE: Standard 2.7M - 9 Feet.

Approved for the purpose with epoxy encapsulated, compression type cable entry (PEM J Type Cordseal) in factory assembled fixtures are supplied with Type SOW / SOOW AWG Cable for UL & cUL areas or with HORN-F-1mm² - Cable with CE Declaration (when required) for other than UL areas.

Longer cable (also with SHIELDED CONDUCTORS) available at extra cost, please enquire.

LED PLATE ASSEMBLIES connecting in fixture to power supply & DMX control conductors are included in fixture at published terms / conditions of sale for: 'Lamps'.

NOTE: "For supply connection, use only an isolating low voltage power supply or transformer with ungrounded output".

For Fixture Parts SEE PAGE 3 of this brochure.

**For colour & numerical coding of conductors in supply cable of light fixture,
SEE PAGE 4 of this brochure.**



PEM E 1490 LED LIGHT FIXTURES

24VDC-100w Max Single color,100w MAX RGB NARROW BEAM LED'S
DIRECT SWITCHING or DMX DIMMEABLE



PEM E 1490-04, Red,SUBMERSIBLE NARROW BEAM (LEDS)
24 VDC Version,Single Color or RGB -7° – 14° – 30°– 45° .

- PEM E 1490-01, Cold White, 100w Max, direct switching, with 3 cable conductors.
 - PEM E 1490-01A, Cold White, 100w Max, DMX, Dimming, Channel Control with 5 cable conductors.
 - PEM E 1490-02, Warm White,100w Max, direct switching, with 3 cable conductors.
 - PEM E 1490-02A, Warm White, 100w Max, DMX,Dimming, Channel Control with 5 cable conductors.
 - PEM E 1490-03, Amber, 100w Max, direct switching, with 3 cable conductors.
 - PEM E 1490-03A, Amber, 100w Max, DMX,Dimming, Channel Control with 5 cable conductors.
 - PEM E 1490-04, Red, 100w Max, direct switching, with 3 cable conductors.
 - PEM E 1490-04A, Red, 100w Max, DMX,Dimming, Channel Control with 5 cable conductors.
 - PEM E 1490-05, Green, 100w Max, direct switching, with 3 cable conductors.
 - PEM E 1490-05A, Green, 100w Max, DMX,Dimming, Channel Control with 5 cable conductors.
 - PEM E 1490-06, Blue 100w Max, direct switching, with 3 cable conductors.
 - PEM E 1490-06A, Blue, 100w Max, DMX,Dimming, Channel Control with 5 cable conductors.
 - PEM E 1490-07 RGB 93w Max,DMX, 3 Channel Control with 5 cable conductors.
- 12VAC OR 12VDC OR 24VDC VERSION: 5°,10°,20°,30°,40°and 50°**
- PEM E1490-08 RGBAW 100W Max, DMX, 5 Channel with 5 conductor of cable.
 - PEM E1490-09 RGBW 84W Max, DMX, 4 Channel with 5 conductor of cable.
 - PEM E1490-10 RGB 63W Max, DMX, 3 Channel with 5 conductor of cable.
 - PEM E1490-11 cold white 100W Max, with 3 conductor of cable.
 - PEM E1490-11A cold white 100W Max, DMX with 5 conductor of cable.
 - PEM E1490-12 warm white 100W Max, with 3 conductor of cable.
 - PEM E1490-12A warm white 100W Max, DMX with 5 conductor of cable.
 - PEM E1490-13 12VAC ASYNC color Modes by power on/off (no DMX) /16/3 SOOW / H0R7N-F 2x1.5MM2

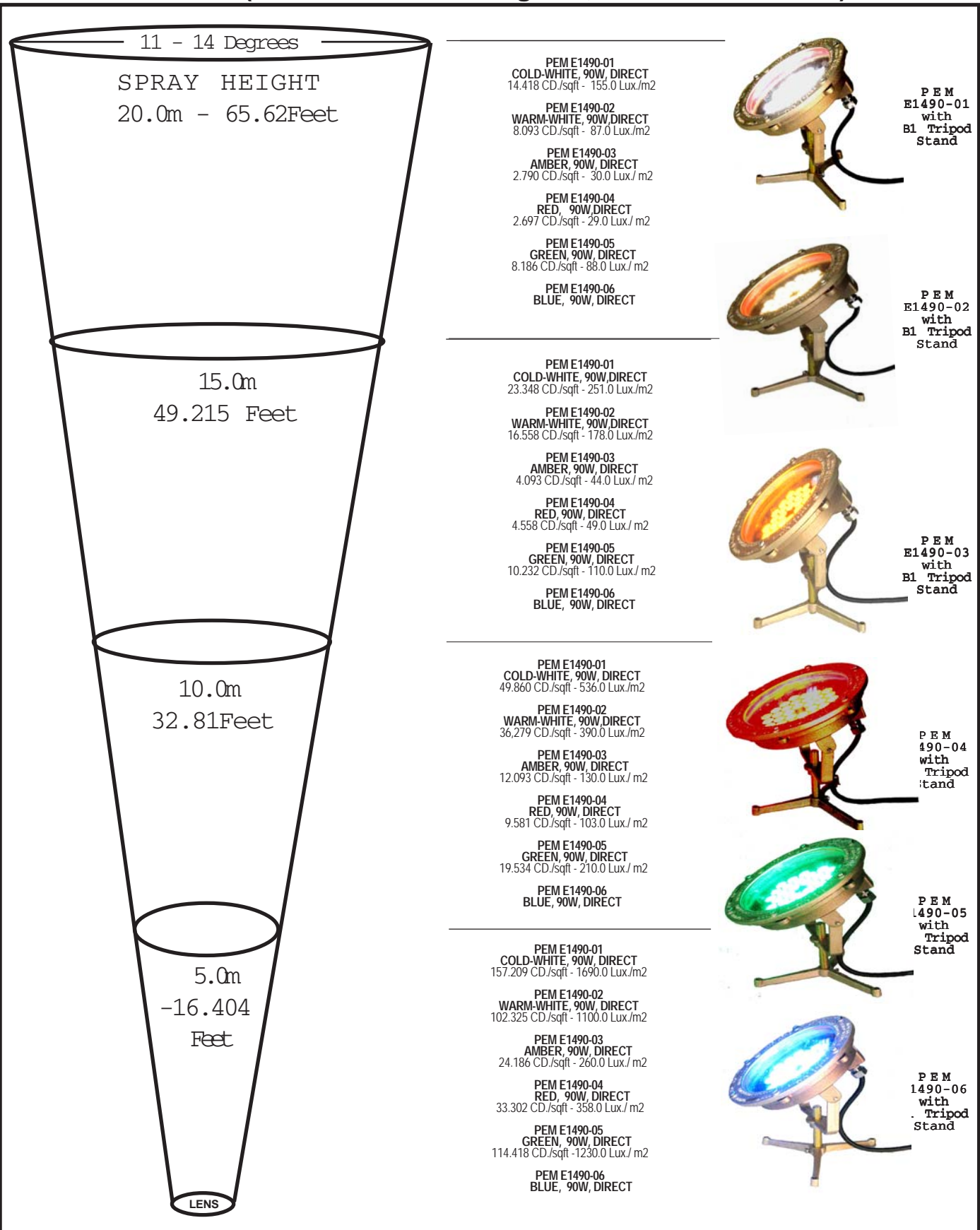
. NOTE: "For supply connection, use only an isolating low voltage power supply or transformer with ungrounded output".

SUBMERSIBLE LED LIGHT FIXTURES
by PEM FOUNTAIN CO.

104 NEWKIRK RD, RICHMOND HILL, ONTARIO, CANADA, L4C 3G3
Tel: 800-387-3600 - Email: sales@pemfountain.ca - www.pemfountain.ca

PEM E 1490 LED LIGHT FIXTURES

11 - 14 DEGREES REFLECTIVE CENTER LINE LIGHT OUTPUT MEASUREMENT (36 x 2.5W x 11-14 degrees, Total 90W - 24VDC)

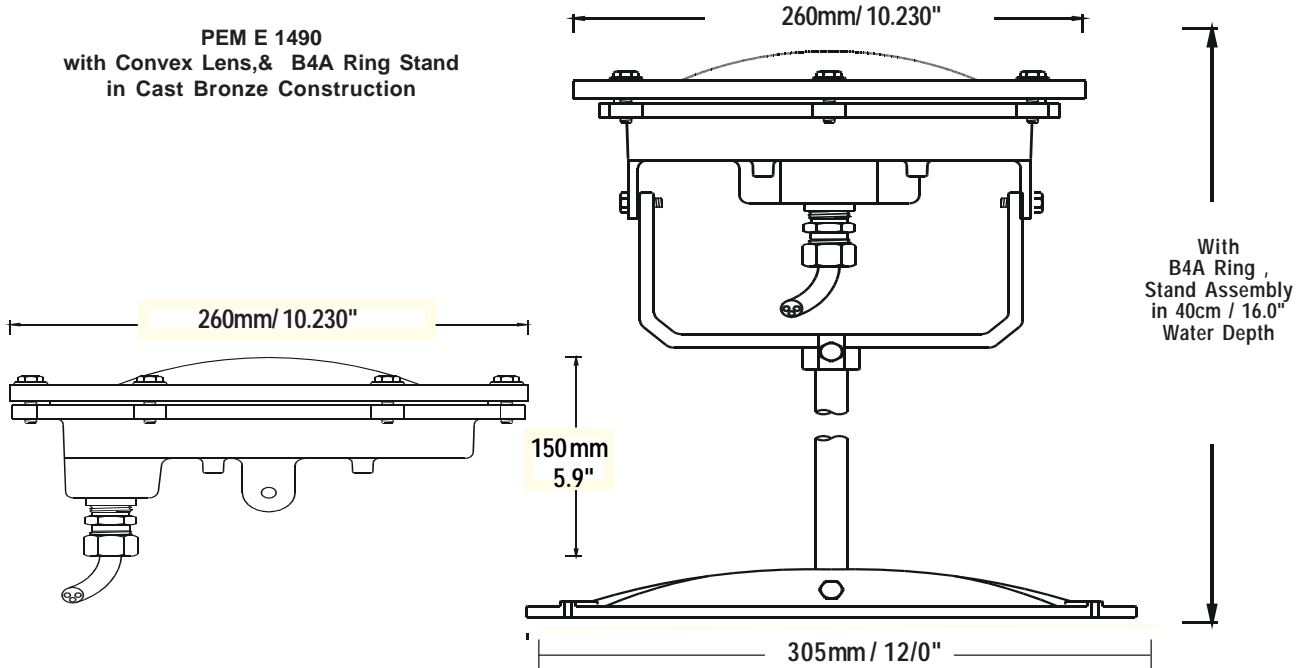


Copyright © PEM Fountain Co - 2017-2-1 Printed in Canada



PEM E 1490 CONSTRUCTION

PEM E 1490
with Convex Lens, & B4A Ring Stand
in Cast Bronze Construction



FIXTURE HOUSING & FACERING:

PEM E1490 Light Fixtures are for fresh water in Bronze ,Stainless Steel fitted.

PEM E1490 Light Fixtures (Marked:**SW**) for saltwater are available, please enquire.

LENS: 213mm / 8.375" Diameter. Convex clear cast glass,heat resistant and tempered.

OPTIONAL LENS ROCK GUARD, required in USA .

LENS GASKET : High Temperature Silicone Rubber, 'U' shaped gasket with unique safety sealing lips .

ELECTRICAL CABLE: Standard 2.7M - 9 Feet.

Approved for the purpose with epoxy encapsulated, compression type cable entry (PEM J Type Cordseal) in

factory assembled fixtures are Supplied with Type SOOW/AWG Cable for UL & cUL areas or with HORN-F-1mm2 - Cable with CE Declaration (when required) for other than UL areas.

Longer cable (also with SHIELDED CONDUCTORS) available at extra cost, please enquire. **LED**

PLATE ASSEMBLIES connecting in fixture to power supply & DMX control conductors are included in fixture at published terms / conditions of sale for: 'Lamps'.

NOTE: "Fosupply connection, use only an isolating low voltage power supply or transformer with ungrounded output"

10-9 SWING UP
ROCKGUARD

10-9 SWING UP
ROCKGUARD
AVAILABLE



B4 RING STAND



B4A RING STAND



B4A RING STAND



B30-5 OPEN NICHE



B70A WALK
OVER NICHE



B69-1 POOL NICHE
W. 10-8 ROCK GUARD



SERIAL #	PEM ORDER	PEM E1490 LED LIGHT FIXTURES WITH LED Plates are factory functional tested prior to shipping.	W.
PEM:	#	LED Plates are included with Light Fixtures.	Kg
		LED FIXTURES are warranted for one year from purchase date for failure in normal usage at specified voltage.	
		LED FIXTURES & LED PLATE failures due to faulty installation and/or usage are NOT warranted.	
		LED Plates are identified with registered Serial Number, that is required for any warranty or service claim.	
LED FIXTURES-24VDC VERSION - 7, 15, 30, & 45 Beam Angle			
E16-E1490-01	E1490-01	Direct switching by remote Control, NO DMX connection in fixture	
		Cold White color 100w with 9 Feet of SOOW 16/3 /H0R7N 2 x 1.5mm2 cable	5.2
E16-E1490-01A	E1490-01A	DMX- Dimming Control required: (For creation of overall CUSTOM COLOUR ILLUMINATION)	
		Cold White color 100w with 9 Feet of SOOW 18/5 /H0R7N 4 x 1.5mm2 cable	5.8
E16-E1490-02	E1490-02	Direct switching by remote Control, NO DMX connection in fixture	
		Warm White color 100w with 9 Feet of SOOW 16/3 /H0R7N 2 x 1.5mm2 cable	5.2
E16-E1490-02A	E1490-02A	DMX- Dimming Control required: (For creation of overall CUSTOM COLOUR ILLUMINATION)	
		Warm White color 100w with 9 Feet of SOOW 18/5 /H0R7N 4 x 1.5mm2 cable	5.8
E16-E1490-03	E1490-03	Direct switching by remote Control, NO DMX connection in fixture	
		Amber color 100w with 9 Feet of SOOW 16/3 /H0R7N 2 x 1.5mm2 cable	5.2
E16-E1490-03A	E1490-03A	DMX- Dimming Control required: (For creation of overall CUSTOM COLOUR ILLUMINATION)	
		Amber color 100w with 9 Feet of SOOW 18/5 /H0R7N 4 x 1.5mm2 cable	5.8
E16-E1490-04	E1490-04	Direct switching by remote Control, NO DMX connection in fixture	
		Red color 100w with 9 Feet of SOOW 16/3 /H0R7N 2 x 1.5mm2 cable	5.2
E16-E1490-04A	E1490-04A	DMX- Dimming Control required: (For creation of overall CUSTOM COLOUR ILLUMINATION)	
		Red color 100w with 9 Feet of SOOW 18/5 /H0R7N 4 x 1.5mm2 cable	5.8
E16-E1490-05	E1490-05	Direct switching by remote Control, NO DMX connection in fixture	
		Green color 100w with 9 Feet of SOOW 16/3 /H0R7N 2 x 1.5mm2 cable	5.2
E16-E1490-05A	E1490-05A	DMX- Dimming Control required: (For creation of overall CUSTOM COLOUR ILLUMINATION)	
		Green color 100w with 9 Feet of SOOW 18/5 /H0R7N 4 x 1.5mm2 cable	5.8
E16-E1490-06	E1490-06	Direct switching by remote Control, NO DMX connection in fixture	
		Blue color 100w with 9 Feet of SOOW 16/3 /H0R7N 2 x 1.5mm2 cable	5.2
E16-E1490-06A	E1490-06A	DMX- Dimming Control required: (For creation of overall CUSTOM COLOUR ILLUMINATION)	
		Blue color 100w with 9 Feet of SOOW 18/5 /H0R7N 4 x 1.5mm2 cable	5.8
E16-E1490-07	E1490-07	RGB DMX X 24 VDC - 93w Max with 18-5 Cable	
12VAC OR 12VDC OR 24VDC VERSION- 5, 10, 20, 30, 40, 60 Beam Angle			
E16-E1490-08	E1490-08	PEM E1490-08 RGBAW 100W Max, DMX, 5 Channel with 5 conductor of cable.	
E16-E1490-09	E1490-09	PEM E1490-09 RGBW 84W Max, DMX, 4 Channel with 5 conductor of cable.	
E16-E1490-10	E1490-10	PEM E1490-10 RGB 63W Max, DMX, 3 Channel with 5 conductor of cable.	
E16-E1490-11	E1490-11	PEM E1490-11 cold white 100W Max, with 3 conductor of cable.	
E16-E1490-11A	E1490-11A	PEM E1490-11A cold white 100W Max, DMX with 5 conductor of cable.	
E16-E1490-12	E1490-12	PEM E1490-12 warm white 100W Max, with 3 conductor of cable.	
E16-E1490-12A	E1490-12A	PEM E1490-12A warm white 100W Max, DMX with 5 conductor of cable.	
E16-E1490-13	E1490-13	12VAC ASYNC color Modes by power on/off (no DMX) /16/3 SOOW / H0R7N-F 2x1.5MM2	
ADD ONS TO PEM E1490 FIXTURES			
350-0003	+/-30-3	213mm Clear Flat Lens (0903 required)	1.10
350-1113	+/-10-9	PEM -10-9 Hinged Rock Guard	0.70
350-11232	+/-B7S-B	B7S Yoke	0.80
391-3026	-B06	150mm / 6.0" x 15.9mm / 0.625"- brass stand rod	0.30
391-3001	+/-B1	B1, Tripod Stand Base,	1.40
391-3002	+/-B4	B4 Ring Stand Base	2.60
391-3003	+/-B4A	B4A Heavy Duty Tripod Stand Base	3.90
350-1133	+/-B6-2	B6-2 Stand Brackets	0.90
334-3922	+/-B69-1	B69-1 Stainless Steel Niche,with 4.50m / 15' of cable	7.00
350-11110	+/-10-8	Lensguard (In Addition To Lightfixture Only)	1.00
350-0035	+/-B70A	Walk Over Stainless Steel Niche with 4.50m / 15' of cable	11.5
350-0026	+/-B30-0	B 30 Niche, Side Conduit, Brass fitted with 4.50m / 15' of cable	3.70
350-0200	+/-B76	B76 Walk Over Slab Hanger,with 4.50m / 15' of cable	5.40
350-0220	+/-B76A	B76A Slab Hanger with Locks,with 4.50m / 15' of cable	6.20

SPRAYS AT 2.00m / 6.56 Feet :

PEM

E1450-3, RGB-DMX

E1450-4, RGBW-DMX

E1450-6, warm White
Direct Switching

E1450-6A, Dimming
warm White DMX

E1450-8, cold White
Direct Switching

E1450-6A, Dimming
cold White DMX

PEM : 954

954

952

952

952

952



E1450-8
E1450-8A

E1450-6
E1450-6A

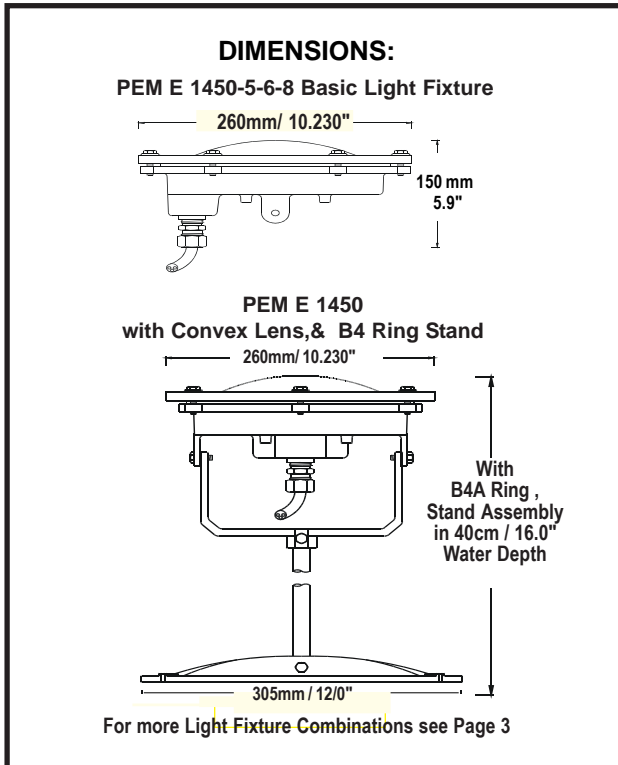
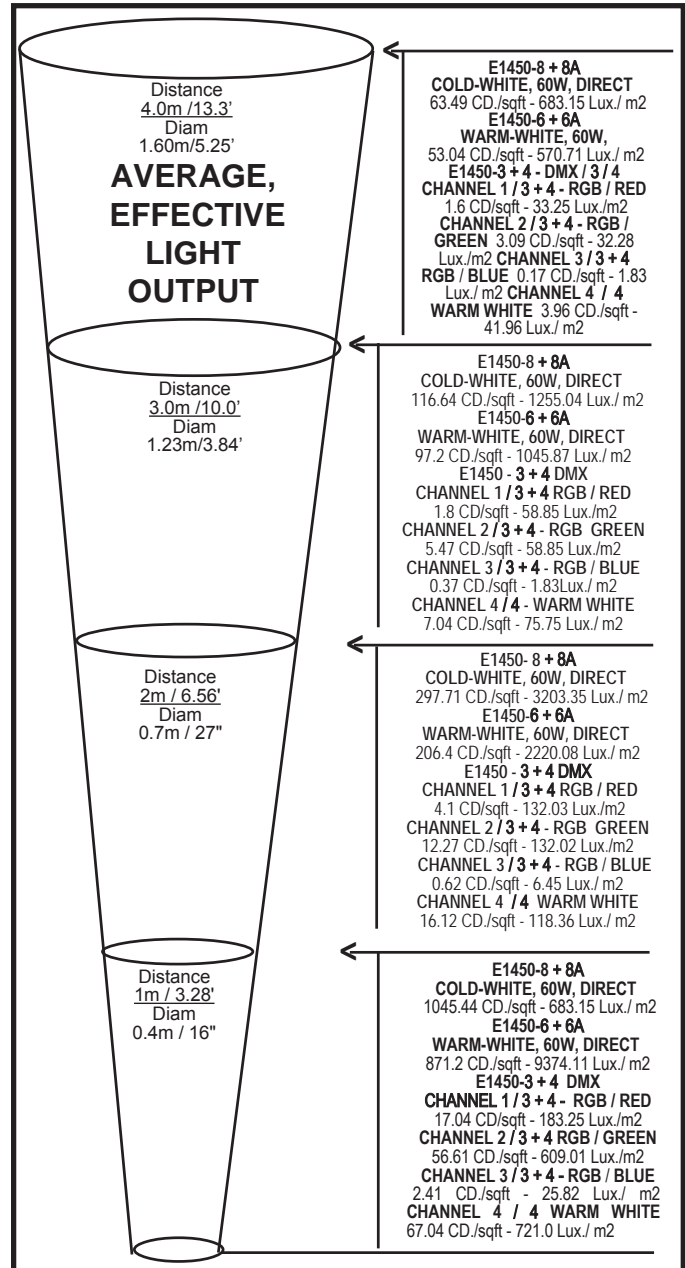
E1450-3-1
E1450-4-1
RGB/W-RED

E1450-3-2
E1450-4-2
RGB/W-Green

E1450-3-3
E1450-4-3
RGB/W-Blue

E1450-4-4
RBGW-White

PEM E 1450 LIGHT FIXTURES & CONTROLS :
PEM E 1450-3 : DMX 3 CHANNEL RGB Control
PEM E 1450-4 : DMX 4 CHANNEL RGBW Control
PEM E1450-6 & 8 : Direct Switching
PEM E1450-6A & 8A : DMX Dimming control
PEM CABLE CONDUCTORS
COLOUR OR NUMERICAL CODING :see Page 4



SERIAL #	PEM ORDER	LED FIXTURES (12VA /12VDC/24VDC) - (This Pricelist supersedes all previous prices!)	W.
PEM:	#	LED Plates with 20 degrees light spread are included in price of Light Fixures.	Kg
		LED Plates are warranted for one year from date of purchase for failure in normal usage.	
		LED failures due to faulty installation and/or usage are NOT warranted.	
		LED Plates are identified with registered Serial Number, which is required for any claim.	
		Lightfixture are installed & pre-tested at factory for normal usage .	
E1450-3	E1450-3	DMX-3 Channel, RGB Control required: (For creation of CUSTOM COLOUR ILLUMINATION)	5.2
		R.G.B. (Red/Green/Blue), 45W (12VAC,12VDC or 24VDC)	
		U.L: Electric Cable SOW, 9.0' / 2.7m x 18-5 AWG, H0R7N-F, CE:(decl.) H0R7N-F, 5 x 1 mm2 Conductors	
E1450-4	E1450-4	DMX-4 Channel, RGBW Control required: (For creation of CUSTOM COLOUR ILLUMINATION)	5.2
		R.G.B.W. (Red/Green/Blue + warm White), 60W (12VAC,12VDC or 24VDC)	
		U.L: Electric Cable SOW, 9.0' / 2.7m x 18-5 AWG, H0R7N-F, CE:(decl.) H0R7N-F, 5 x 1 mm2 Conductors	
E1450-6	E1450-6	Direct switching by remote Control, NO DMX connection in fixture	5.2
		Warm White Colour in 6 clusters of 10W = 60W (at 12VAC, 12VDC OR 24VDC)	
		U.L: Electric Cable SOW, 9.0' / 2.7m x 18-3 AWG, H0R7N-F, CE:(decl.) H0R7N-F, 3 x 1 mm2 Conductors	
E1450-6A	E1450-6A	Dimming by DMX - 1 Channel Control	5.2
		Warm White Colour in 6 clusters of 10W = 60W (at 12VAC,12VDC OR 24VDC)	
		U.L: Electric Cable SOW, 9.0' / 2.7m x 18-5 AWG, H0R7N-F, CE:(decl.) H0R7N-F, 5 x 1 mm2 Conductors	
E1450-8	E1450-8	Direct switching by remote Control, NO DMX connection in fixture	5.2
		Cold White Colour in 6 clusters of 10W = 60W (at 12VAC,12VDC OR 24VDC)	
		U.L: Electric Cable SOW, 9.0' / 2.7m x 18-3 AWG, H0R7N-F, CE:(decl.) H0R7N-F, 3 x 1 mm2 Conductors	
E1450-8A	E1450-8A	Dimming by DMX - 1 Channel Control	5.2
		Cold White Colour in 6 clusters of 10W = 60W (at 12VAC,12VDC OR 24VDC)	
		U.L: Electric Cable SOW, 9.0' / 2.7m x 18-5 AWG, H0R7N-F, CE:(decl.) H0R7N-F, 5 x 1 mm2 Conductors	
		ADD ONS TO PEM E1450B FIXTURES	
350-0003	+/-30-3	213mm Clear Flat Lens (0903 required)	1.10
350-1113	+/-10-9	PEM -10-9 Hinged Rock Guard	0.70
350-11232	+/-B7S-B	B7S Yoke	0.80
391-3026	-B06	150mm / 6.0" x 15.9mm / 0.625"- brass stand rod	0.30
391-3001	+/-B1	B1, Tripod Stand Base,	1.40
391-3002	+/-B4	B4 Ring Stand Base	2.60
391-3003	+/-B4A	B4A Heavy Duty Tripod Stand Base	3.90
350-1133	+/-B6-2	B6-2 Stand Brackets	0.90
334-3922	+/-B69-1	B69-1 Stainless Steel Niche,with 4.50m / 15' of cable	7.00
350-11110	+/-10-8	Lensguard (In Addition To Lightfixture Only)	1.00
350-0035	+/-B70A	Walk Over Stainless Steel Niche with 4.50m / 15' of cable	11.5
350-0026	+/-B30-0	B 30 Niche, Side Conduit, Brass fitted with 4.50m / 15' of cable	3.70
350-0200	+/-B76	B76 Walk OverSlab Hanger,with 4.50m / 15' of cable	5.40
350-0220	+/-B76A	B76A Slab Hanger with Locks,with 4.50m / 15' of cable	6,20

Copyright © PEM Fountain Co - 2018 Printed in Canada