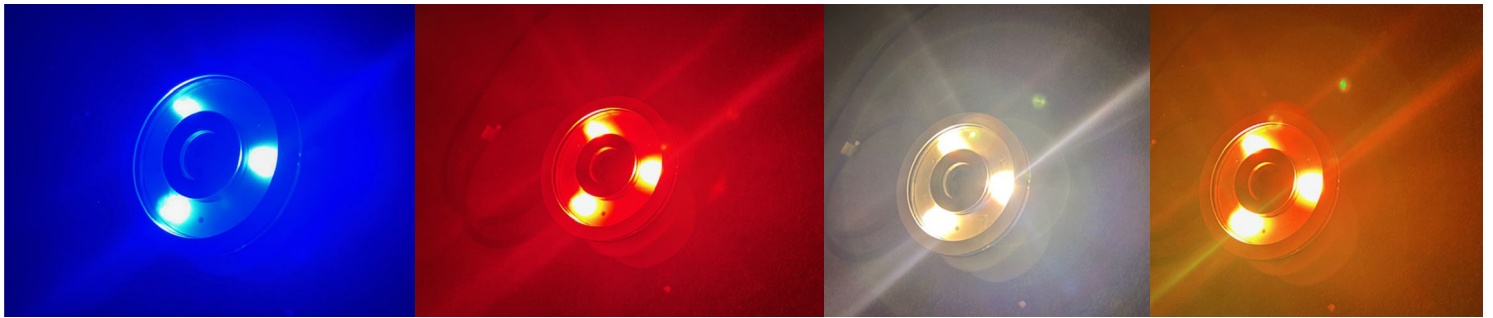




Made out of  
316 STL.  
Steel

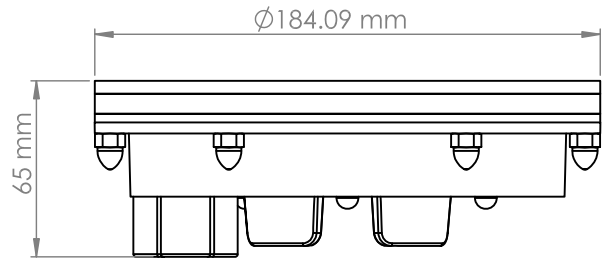
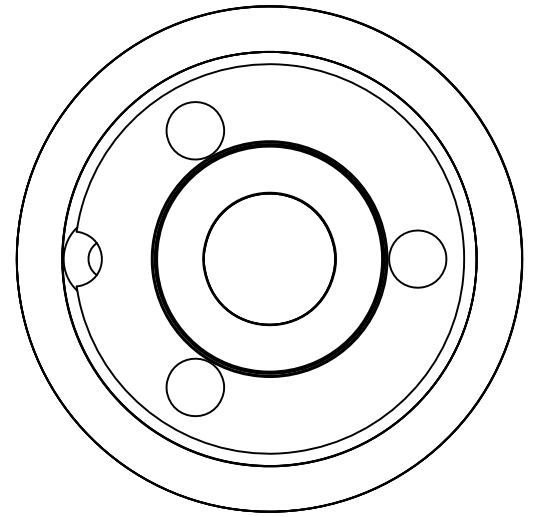
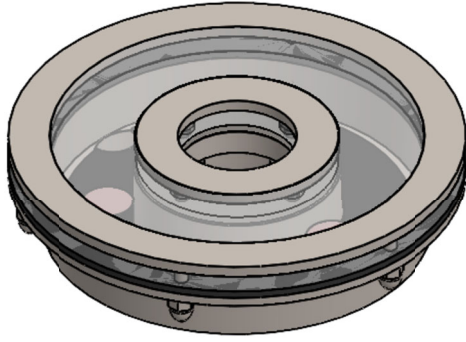


**PEM E2100-S**

Copyright ©  
by PEM Company



LED Lighting



**Specification:**

**Input voltage**

White= 12 VAC or 12 VDC/ 24 VDC (Warm or Cold)  
RGB & RGBW= 12 VAC/ 12 VDC/ 24 VDC Universal

**Output power**

White= 30W  
RGB= 22.5 W  
RGBW= 30 W

**Beam angle**

20°/ 35°/ 55°

**Material**

Body & Face ring: 316 St. Steel  
Lens: Lexan  
Gasket: EPDM

**LEDs**

Replaceable/ DMX Controlled

**Cable**

SOOW 16/3 or 18/5, / 9' standard, more to be specified by customer

**Installation**

Center nozzle on 1-1/2" Pipe.  
Different sizes of slab hangers available.

Weight of the fixture= 6LBS (2.7 KG)

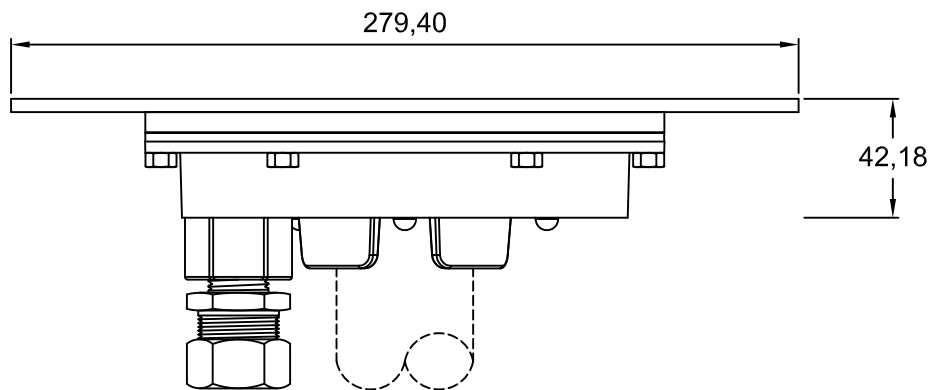
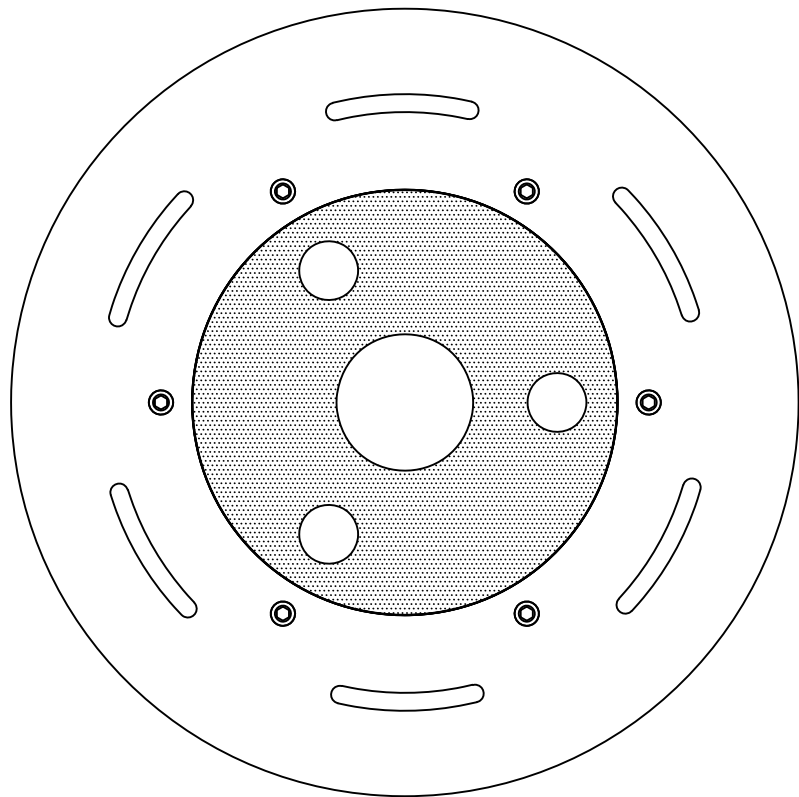


**PEM E2100-S**

Copyright ©  
by PEM Company



LED Lighting



**Specification:**

Input voltage

White= 12 VAC or 12 VDC/ 24 VDC (Warm or Cold)

RGB & RGBW= 12 VAC/ 12 VDC/ 24 VDC Universal

Output power

White= 30W

RGB= 22.5W

RGBW= 30 W

Beam angle

20°/ 35°/ 55°

Material

Body & Face ring: 316 St. Steel

Lens: Lexan

Gasket: EPDM

LEDs

Replaceable/ OMX Controlled

Cable

SOOW 16/3 or 18/ 5,/ 9' standard, more to be specified by customer

Installation

Center nozzle on 1-1/2" Pipe.

Different sizes of slab hangers available.

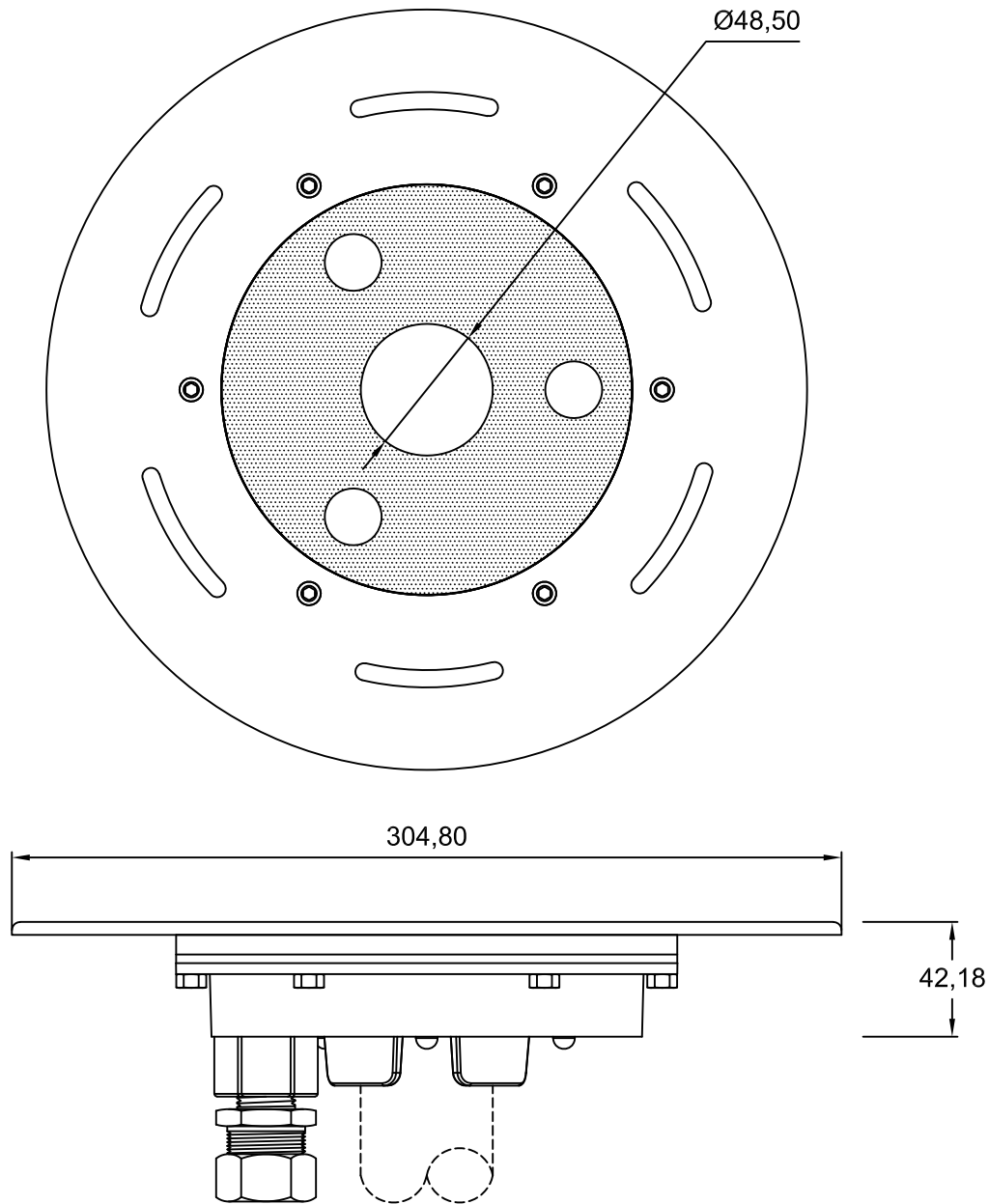


**E2100S/11"  
Slabhanger**

Copyright ©  
by PEM Company

2025

Module



**Specification:**

Input voltage

White= 12 VAC or 12 VDC/ 24 VDC (Warm or Cold)

RGB & RGBW= 12 VAC/ 12 VDC/ 24 VDC Universal

Output power

White= 30W

RGB= 22.5W

RGBW= 30 W

Beam angle

20°/ 35°/ 55°

Material

Body & Face ring: 316 St. Steel

Lens: Lexan

Gasket: EPDM

LEDs

Replaceable/ OMX Controlled

Cable

SOOW 16/3 or 18/ 5,/ 9' standard, more to be specified by customer

Installation

Center nozzle on 1-1/2" Pipe.

Different sizes of slab hangers available.

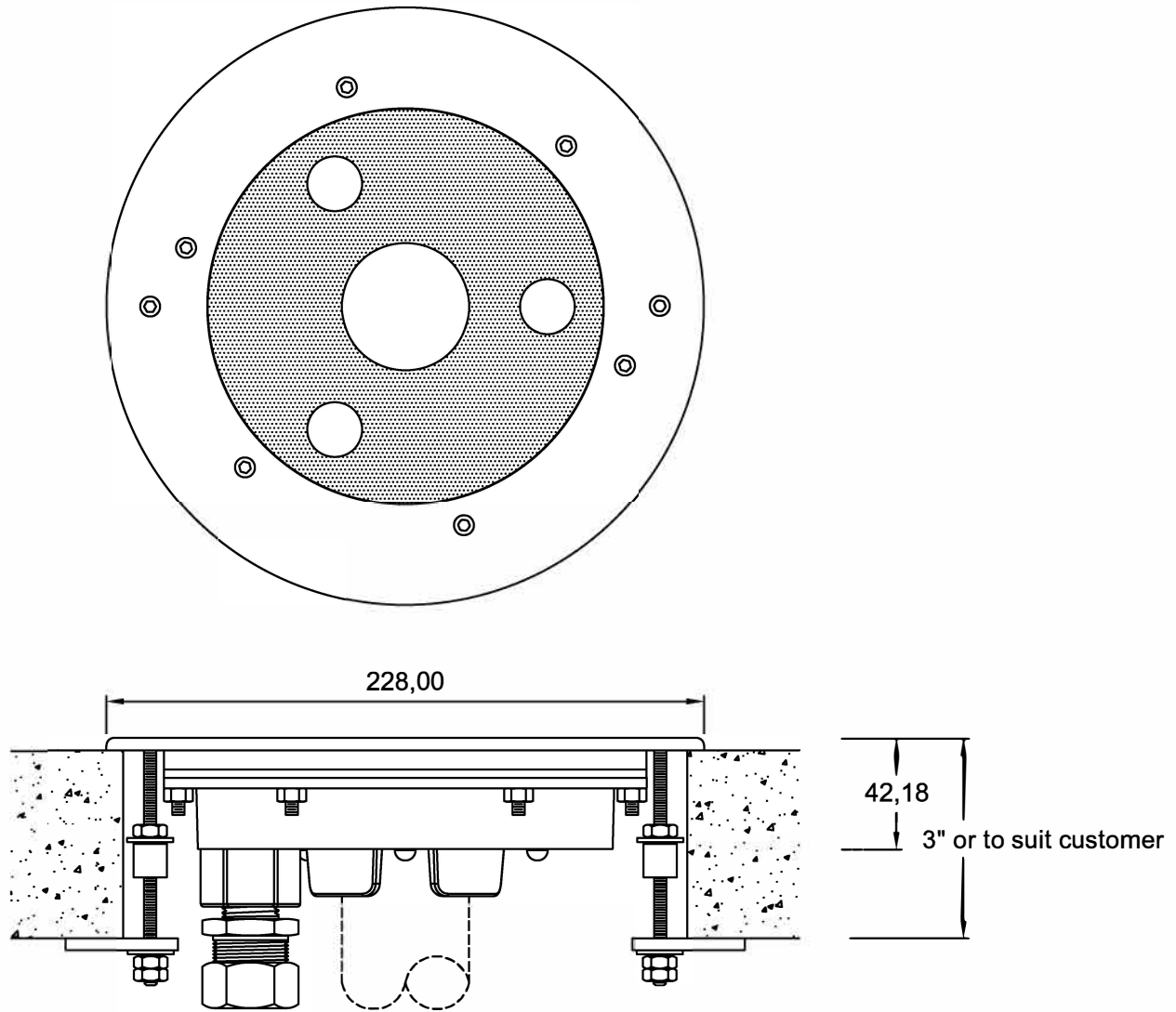


**E2100S/12"  
Slabhanger**

Copyright ©  
by PEM Company

2025

Module



**Specification:**

Input voltage

White= 12 VAC or 12 VDC/ 24 VDC (Warm or Cold)

RGB & RGBW= 12 VAC/ 12 VDC/ 24 VDC Universal

Output power

White= 30W

RGB= 22.5W

RGBW= 30 W

Beam angle

20°/ 35°/ 55°

Material

Body & Face ring: 316 St. Steel

Lens: Lexan

Gasket: EPDM

LEDs

Replaceable/ OMX Controlled

Cable

SOOW 16/3 or 18/ 5,/ 9' standard, more to be specified by customer

Installation

Center nozzle on 1-1/2" Pipe.

Different sizes of slab hangers available.

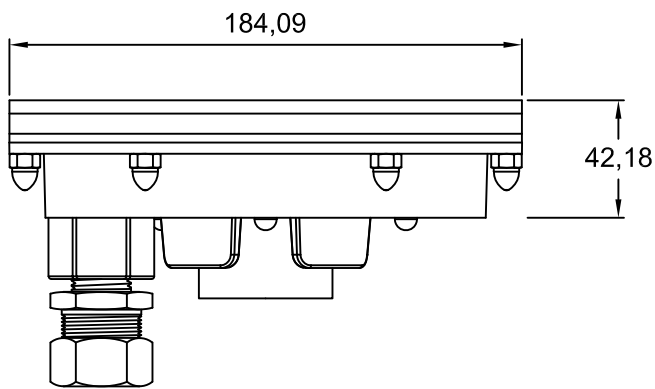
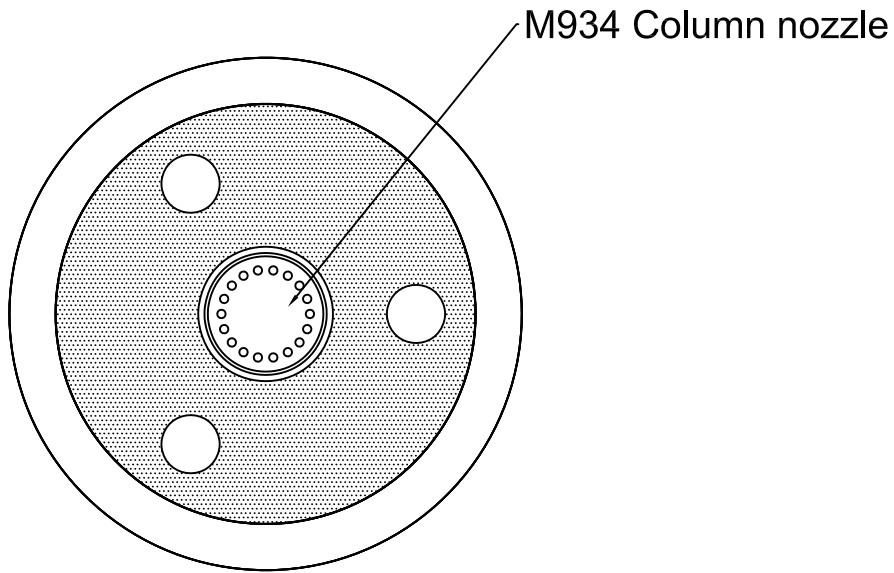


**E2100S/FL**

Copyright ©  
by PEM Company

2025

Module



**Specification:**

Input voltage

White= 12 VAC or 12 VDC/ 24 VDC (Warm or Cold)

RGB & RGBW= 12 VAC/ 12 VDC/ 24 VDC Universal

Output power

White= 30W

RGB= 22.5W

RGBW= 30 W

Beam angle

20°/ 35°/ 55°

Material

Body & Face ring: 316 St. Steel

Lens: Lexan

Gasket: EPDM

LEDs

Replaceable/ OMX Controlled

Cable

SOOW 16/3 or 18/ 5,/ 9' standard, more to be specified by customer

Installation

Center nozzle on 1-1/2" Pipe.

Different sizes of slab hangers available.

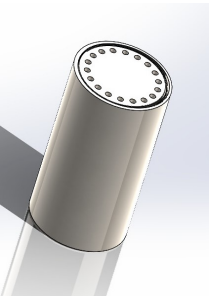


**E2100S/  
M934**

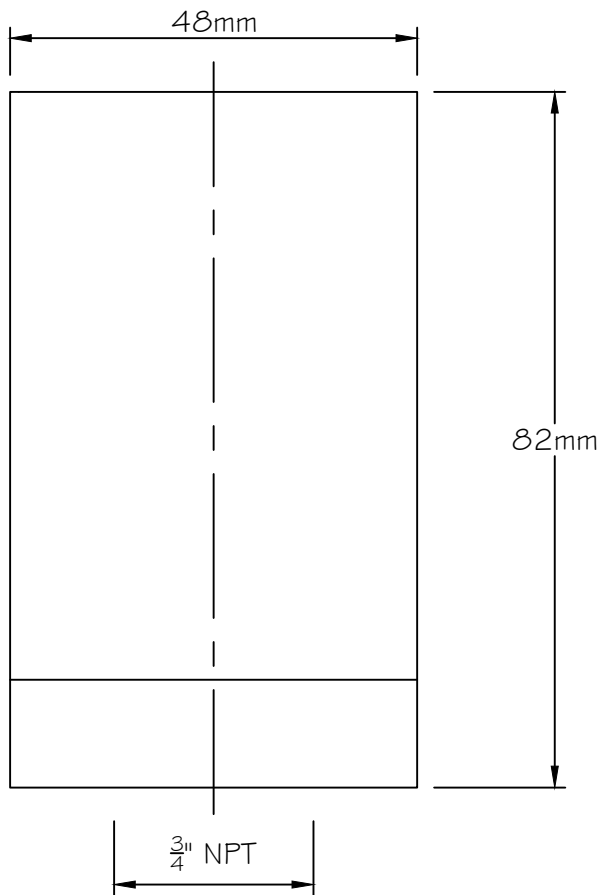
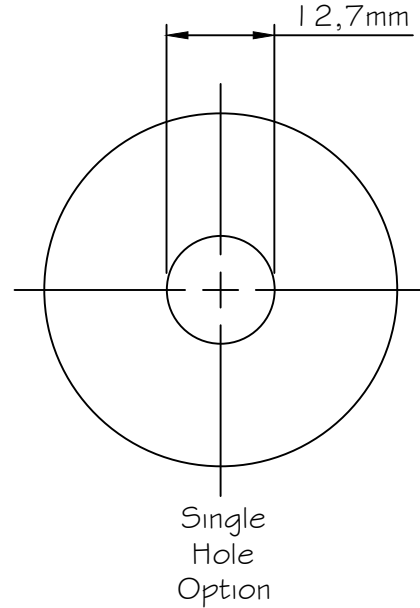
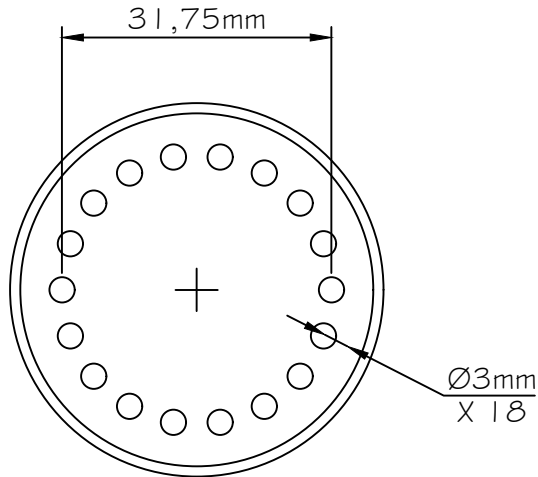
Copyright ©  
by PEM Company

2025

Module



Performance					
Spray Height	3'	5'	7'	9'	11'
GPM	12	15	16	21	23
Head ft	6	16	21	26	31



### Single orifice option

Notes:

- Material: Bronze or 316 STN. Steel
- Angle adjustable after Installation.

No adjustment option

<b>PEM FOUNTAIN CO.</b>	<b>M934 column effect nozzle</b>	
	Copyright © by PEM Company	2012
		Made in Canada