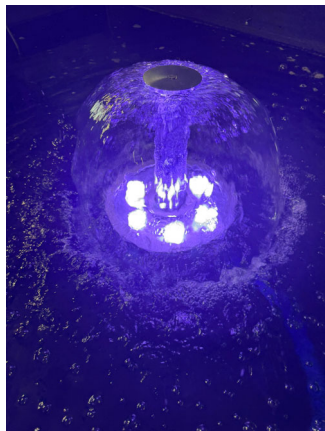




PEM E2500S
316 STL. STEEL
12 VAC/ 24 VAC
24 VDC/ 60W



PEM E2500S
with
PEM 18-3 Bell
Jet

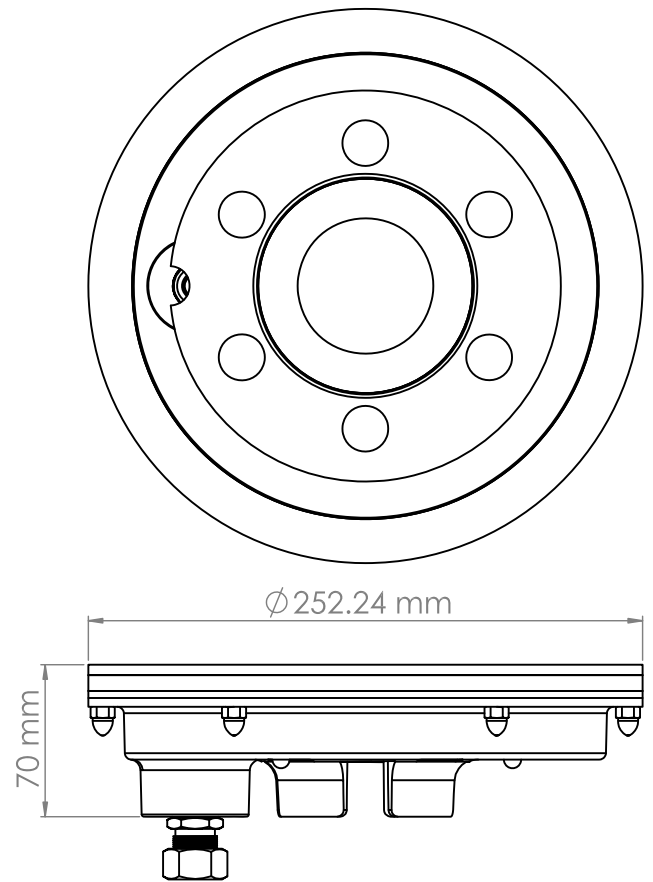
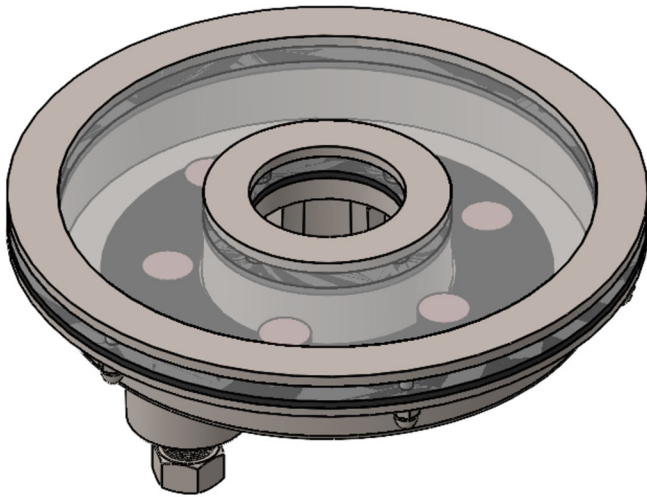


PEM E2500-S

Copyright ©
by PEM Company



LED Lighting



Specification:

Input voltage

White= 12 VAC or 12 VDC/ 24 VDC (Warm or Cold)
RGB & RGBW= 12 VAC/ 12 VDC/ 24 VDC Universal

Output power

White= 100W
RGB= 63 W
RGBW= 85 W
RGBAW= 100W

Beam angle

5°/ 10°/ 20°/ 30°/ 40°/ 60°

Material

Body & Face ring: 316 St. Steel
Lens: Lexan
Gasket: EPDM

LEDs

Replaceable/ DMX Controlled

Cable

SOOW 16/3 or 18/5, / 9' standard, more to be specified by customer

Installation

Center nozzle on 2" Pipe.
Different sizes of slab hangers available.

Weight of the assembled fixture= 10.5 lbs (4.77 KG)



PEM E2500-S

Copyright ©
by PEM Company



LED Lighting