

PEM E 2500-3-4-6-6A-8-8A LED Ring Lights

SUBMERSIBLE LIGHT FIXTURES WITH CANADIAN ASSEMBLED LED COMPONENTS
UNI-VOLTAGE: 12 VAC, 12 VDC OR 24 VDC



E2500-3/-4
15 WATTS/Color
20 Degrees

E2500-3/-4
15 WATTS/Color
20 Degrees

E2500-3/-4
15 WATTS/Color
20 Degrees

E2500-4
15 WATTS/Color
20 Degrees

E2500-6/6A
60 WATTS
20 Degrees

E2500-8/8A
60 WATTS
20 Degrees

PEM E 2500 SUBMERSIBLE RING LIGHT FIXTURE for 12VAC,12VDC or 24VDC. FIXTURE HOUSING & FACERING:

PEM E2500 Light Fixtures for fresh water in 85-5-5-5 Bronze Casting, #18-8 Stainless Steel fitted.
PEM E2500 Light Fixtures (Marked:SW) for saltwater are available, please enquire.

PEM E2500 Light Fixtures for structural insertion, walk over type spray pads, are available with surface construction of #18-8 Stainless Steel.

CLAMP ON: Pass through opening for: 2" NPT - BSPT size Pipe (60mm - 2.44" outside diameter)

LENS: Made of Optical Clear 12mm (0.5") Poly. Carbonate Plastic (**LEXAN**)

LENS GASKET: Made of EPDM flat rubber

LENS CLAMPS & Bolts: Made of 18-8 Stainless Steel.

CABLE attached to Light Fixture: 9 Feet / 2.7m Standard Length, longer lengths extra.

PEM E 2500 Ring Lights are available as:

PEM E 2500-3

RGB - DMX, 3 Channel Control

Red - Green - Blue, Each 15 Watt. total of 45 Watt

FIXTURE CABLE: 5 Conductor Type:SOW/SOOW-18-5 Conductor Cable/ H0R7N-F- 4 x 1mm²

PEM E 2500-4

RGBW - DMX, 4 Channel Control

Red - Green - Blue - White, Each 15 Watt. total of 60 Watt

White = warm White, recommended to preserve colourful surroundings.

FIXTURE CABLE: 5 Conductor Type:SOW/SOOW-18-5 Conductor Cable/ H0R7N-F- 4 x 1mm²

PEM E 2500-6

Direct remote Control - Direct ON/OFF Control required

Warm White - 60 Watt, recommended to preserve colour full surroundings.

FIXTURE CABLE: 3 Conductor Type:SOW/SOOW-16-3 Conductor Cable/ H0R7N-F- 2 x1.5mm²

PEM E 2500-6A

DMX Control - DMX-Dimming Control required

Warm White - 60 Watt, might affect colour full surroundings.

FIXTURE CABLE: 3 Conductor Type:SOW/SOOW-18-3 Conductor Cable/ H0R7N-F- 4 x1.5mm²

PEM E 2500-8

Direct remote Control - Direct ON/OFF Control required

Cold White - 60 Watt, recommended to preserve colour full surroundings.

FIXTURE CABLE: 3 Conductor Type:SOW/SOOW-16-3 Conductor Cable/ H0R7N-F- 3 x1.5mm²

PEM E 2500-8A

DMX Control - DMX-Dimming Control required

Cold White - 60 Watt, might affect colour full surroundings.

FIXTURE CABLE: 5 Conductor Type:SOW/SOOW-18-5 Conductor Cable/ H0R7N-F- 4 x1.5mm²

NOTE: "For supply connection, use only an isolating low voltage power supply or transformer with ungrounded output".

PEM® E2500 RING LIGHTS

INDEX

	Page
COVER	1
Index	2
Description & Light Output Performances	3
E2500 Ring Light - A , Sample Applications	4
PEM E2500 Ring Light - B, Sample Applications	5
E2500, Basic Types 01, 02 & 03 Dimensions	6
E2500 Order List	7
E2500 Detailed Picture	8

Copyright © PEM Fountain Co - 2018 Printed in Canada

Please note:

Previous PEM E2500-431, 432, 437 & 439 HAVE BEEN DISCONTINUED.

**SUBMERSIBLE LED LIGHT FIXTURES
by PEM FOUNTAIN COMPANY.**

104 NEWKIRK RD, RICHMOND HILL, ONTARIO, CANADA, L4C 3G3

Tel: 800-387-3600 - Email: sales@pemfountain.ca - www.pemfountain.ca

PEM

LED RING LIGHTS

E2500-3-RGB-DMX

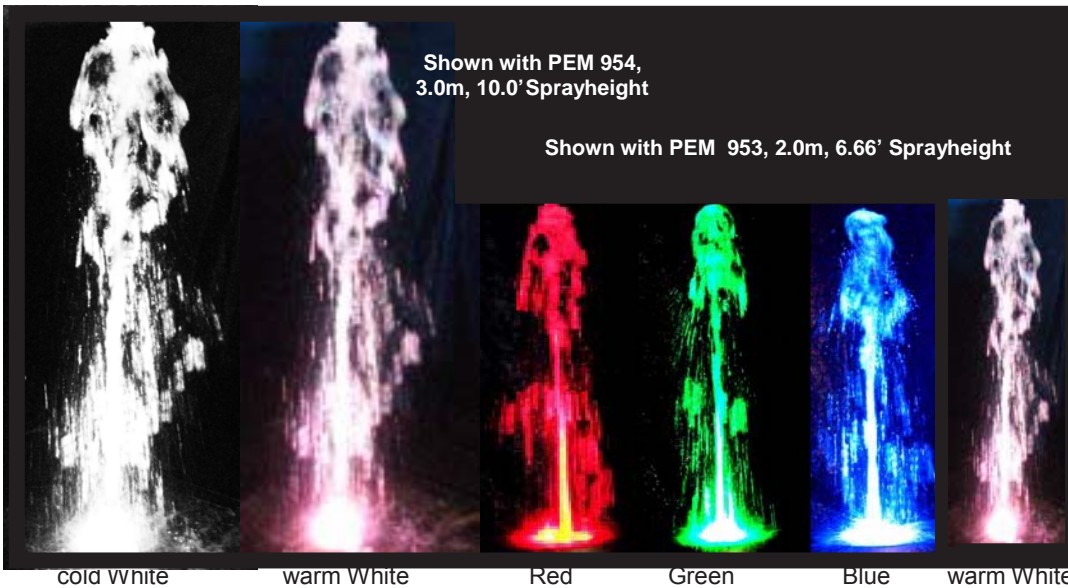
E2500-4-RGBW-DMX

E2500-6-w.White-Direct

E2500-6A-w.White-Dimming

E2500-8-c.White-Direct

E2500-8A-c.White-Dimming



Shown with PEM 954,
3.0m, 10.0' Sprayheight

Shown with PEM 953, 2.0m, 6.66' Sprayheight

cold white

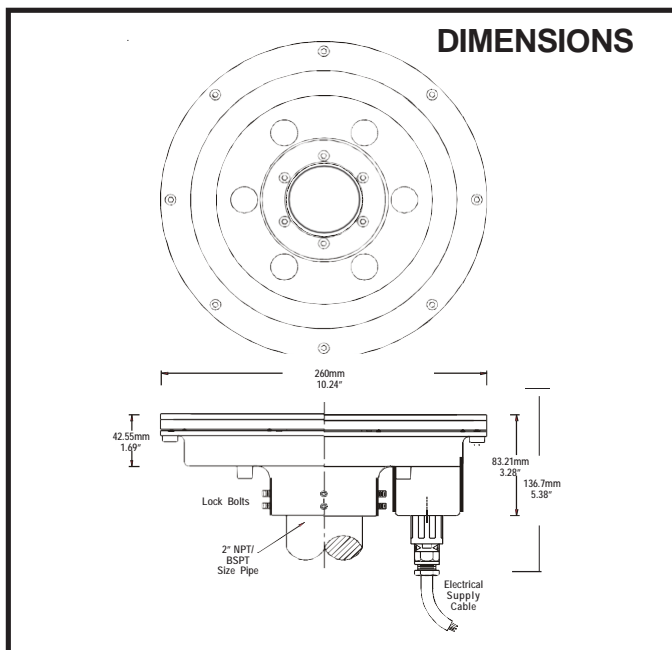
warm white

Red

Green

Blue

warm white



DIMENSIONS

SUBMERSIBLE LIGHT FIXTURE WITH CANADIAN ASSEMBLED LED COMPONENTS. (Submitted to UL for listing)

FOR: UNI VOLTAGE: 12 VAC, 12 VDC OR 24 VDC

Models Available:

- E2500-3 :20 Degrees, (3x15w = Total 45w) R.G.B. DMX, 3 Channels
- E2500-3 :20 Degrees, (4x15w = Total 60w) R.G.B.W DMX, 4 Channels
- E2500-6: 20 Degree, (60 Watts), warm WHITE, direct switching
- E2500-6A: 20 Degrees, (60Watts), warm White, DMX Dimming
- E2500-8: 20 Degree, 60 Watts, cold WHITE, DMX direct switching
- E2500-8A 20 Degrees, (60Watts), cold White, DMX Dimming

PEM E 2500 SUBMERSIBLE LED RING LIGHT FIXTURE will pass through its lockable center opening of 61mm (2.40") a 2" NPT/BSPT #40 metal pipe.

LENS: Optical Clear Poly. Carbonate Cover with EPDM flat Seals to body.

FIXTURE HOUSING & FACERING:

PEM E2500 RING LIGHT for Fresh Water.

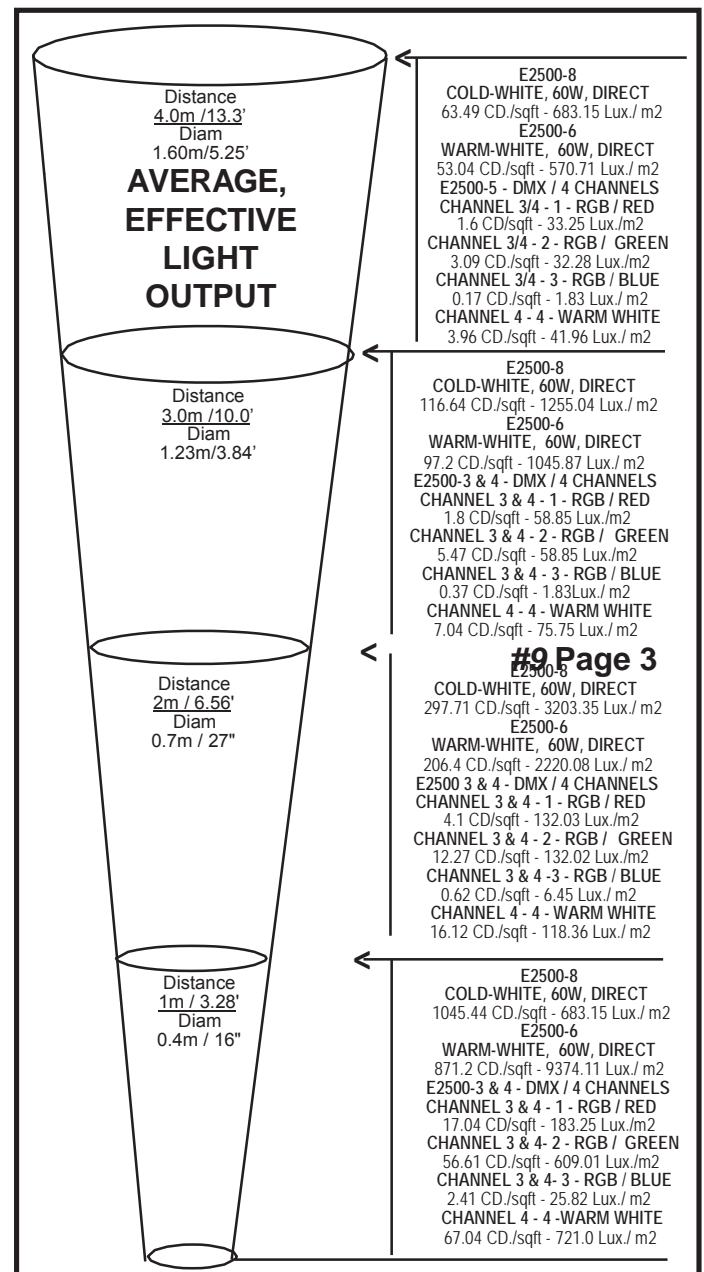
Salt Water Construction available, please enquire !

MOUNTING : Clamp on to 2" NPT/BSPT, #40 Pipe

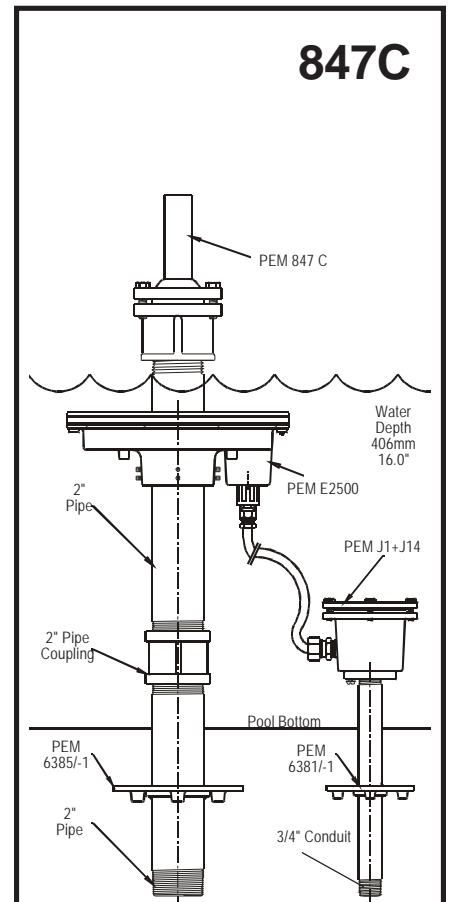
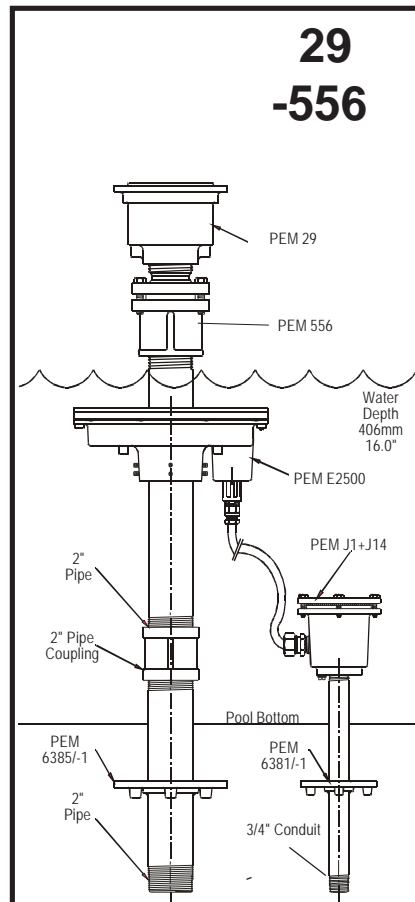
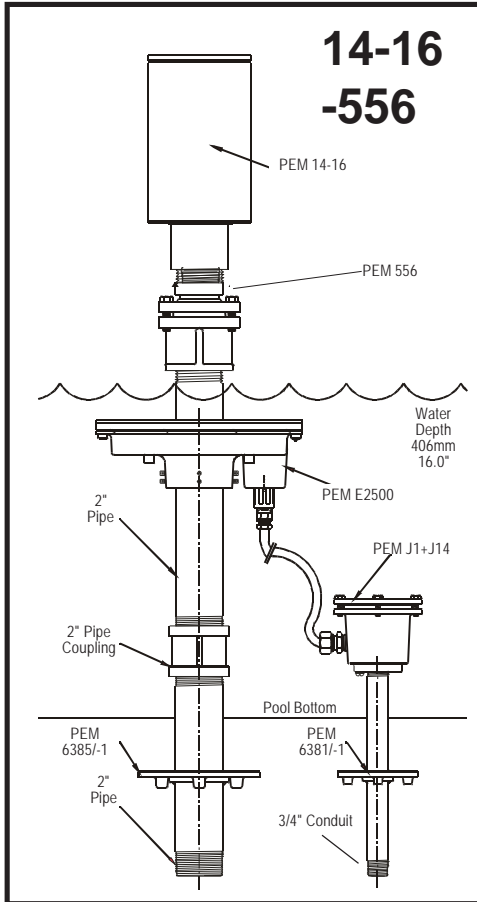
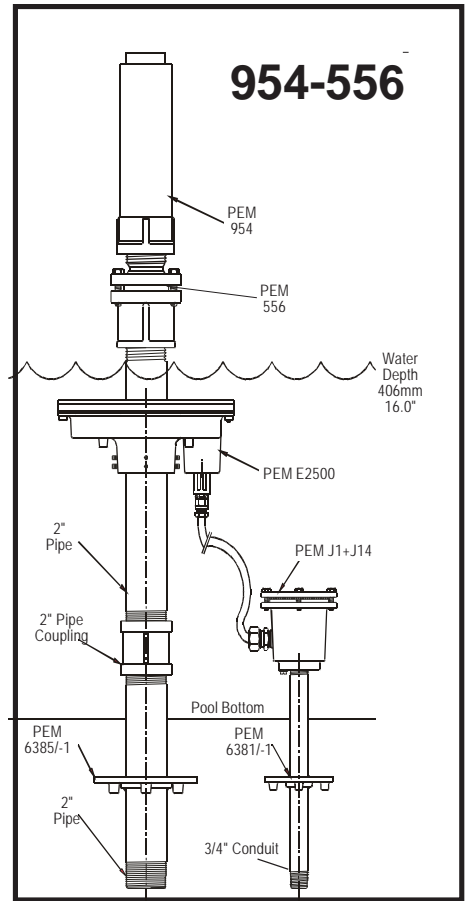
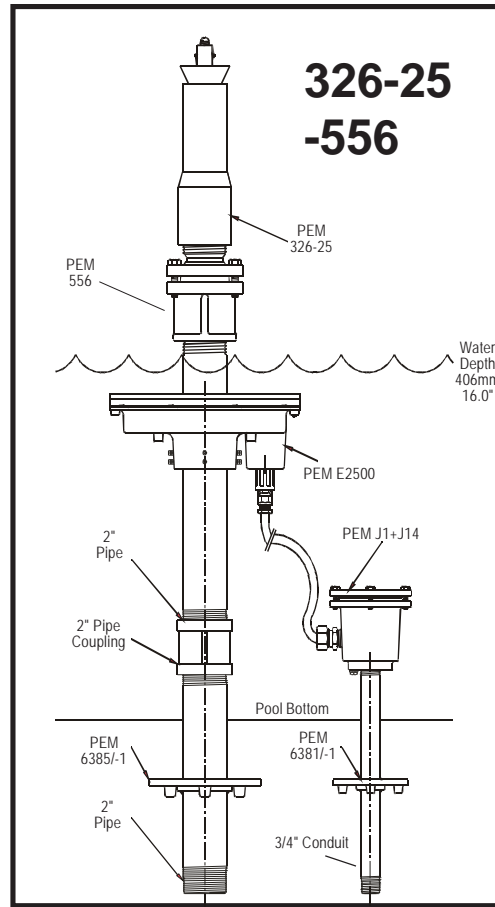
LENS: Optical Clear 12mm (0.5") Poly. Carbonate with EPDM flat Seal

CABLE: See above. Longer cable might require shielded conductors (extra)

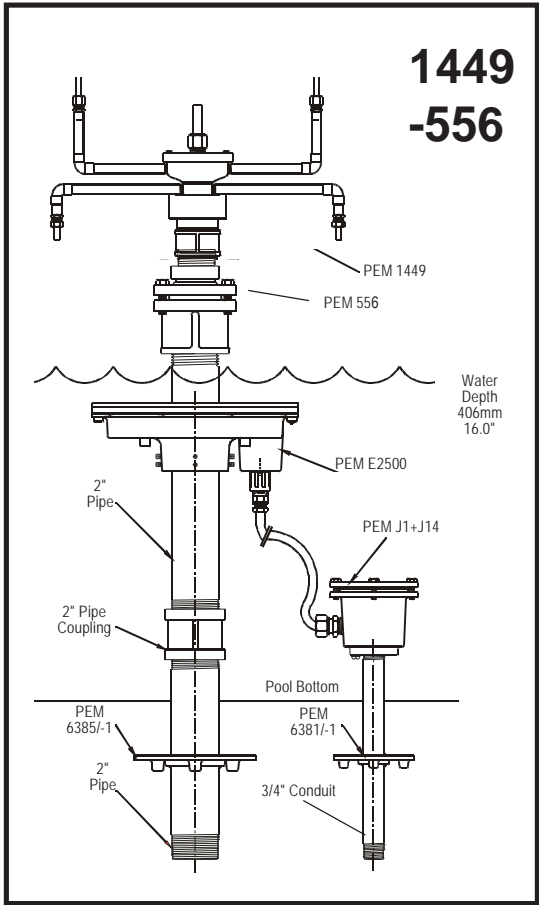
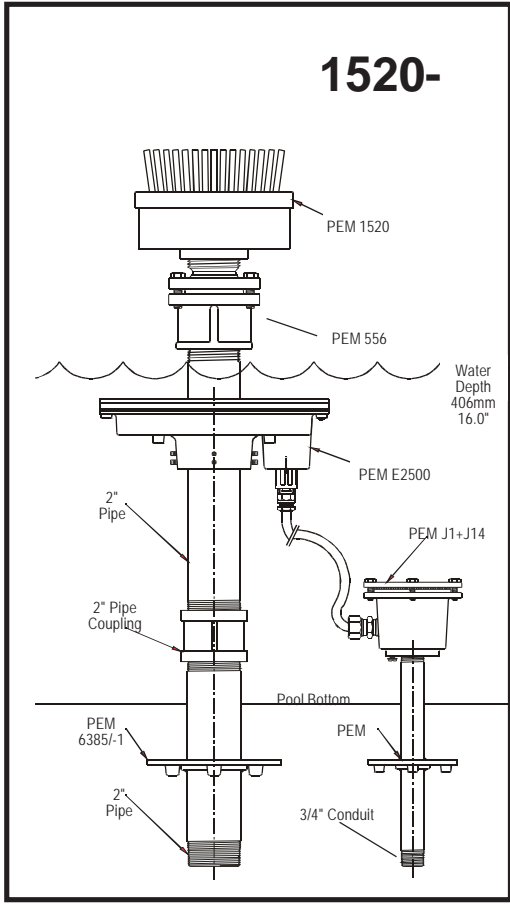
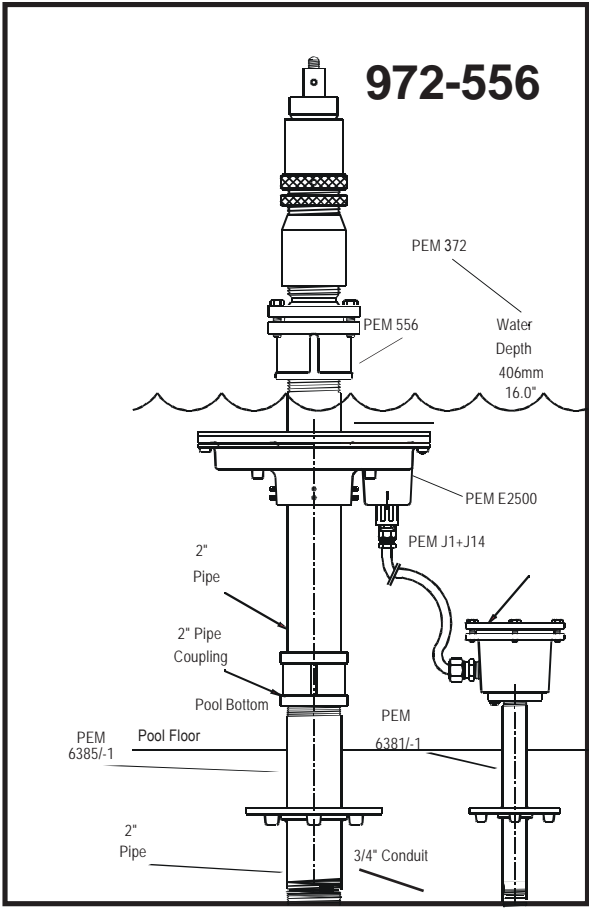
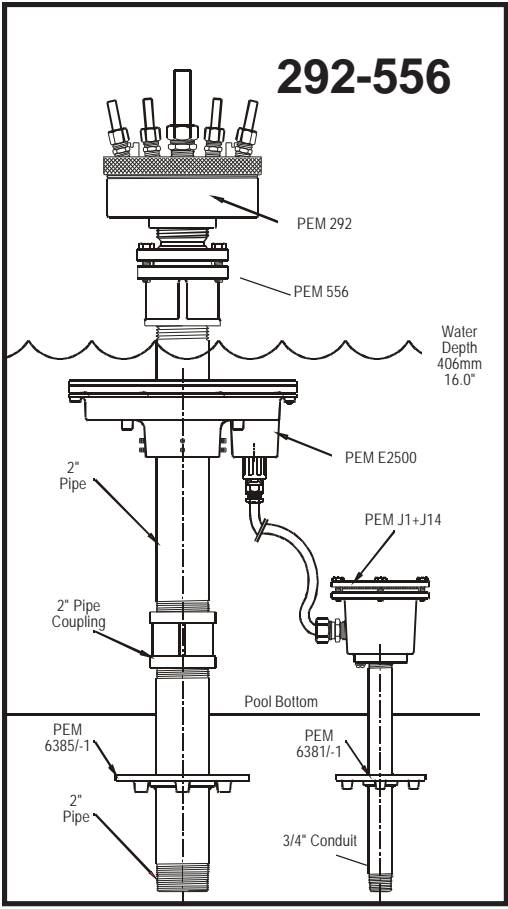
LED RING PLATE included in Lightfixture.



PEM_{reg.} E2500
RING LIGHT
SAMPLE
APPLICATIONS
WITH
PEM SPRAY
EQUIPMENT
PAGE 'A'

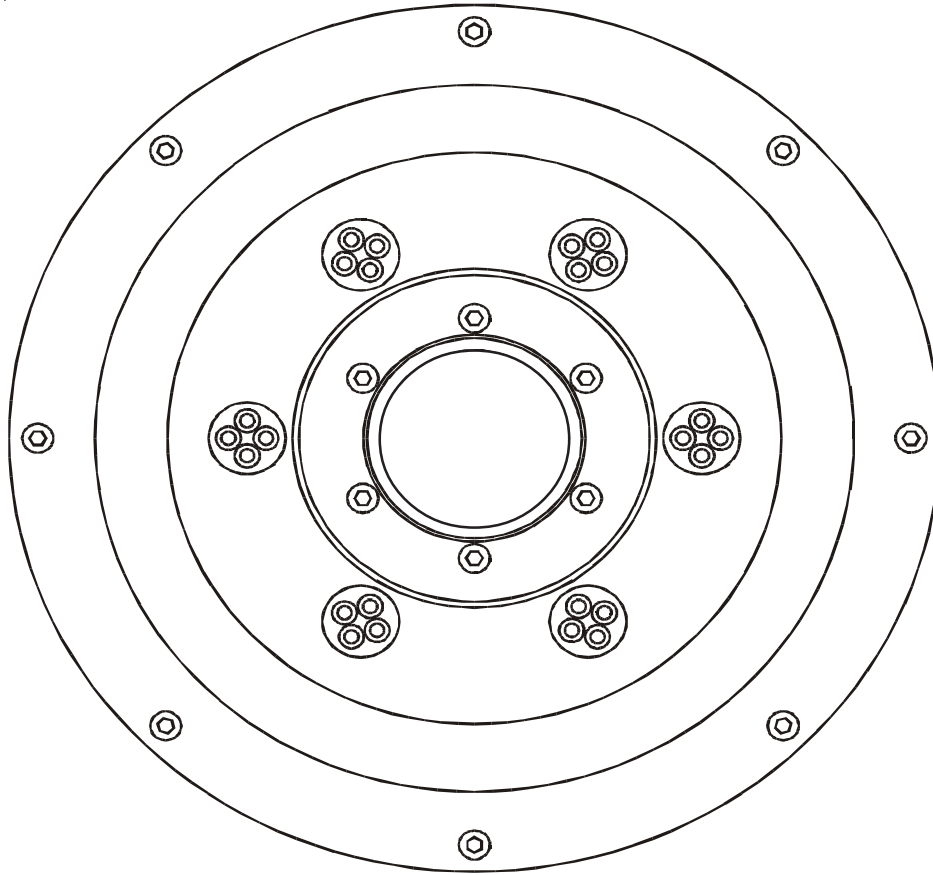


**PEM^{reg.}E2500
RING LIGHT
SAMPLE
APPLICATIONS
WITH
PEM SPRAY
EQUIPMENT
PAGE 'B'**

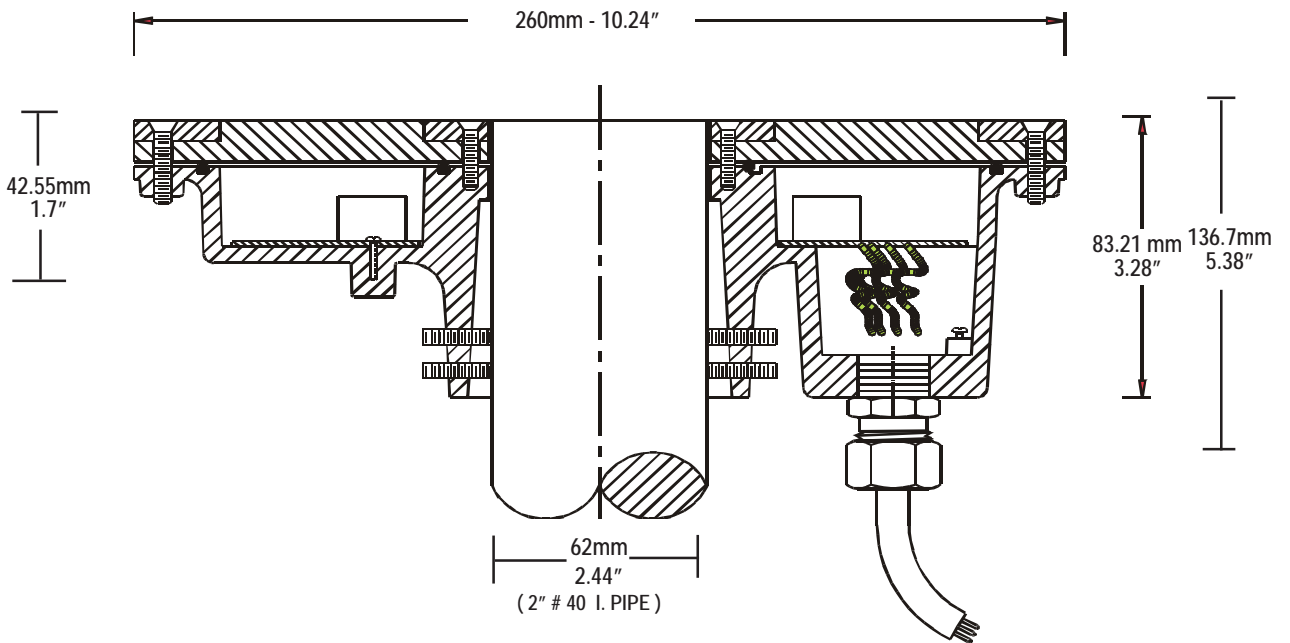


Copyright © PEM Fountain Co - 2018 Printed in Canada

SUBMERSIBLE RING LIGHT FIXTURE
PEM_{reg.} E2500
BASIC FIXTURE FOR 2" STAND PIPE MOUNTING



Copyright © PEM Fountain Co - 2018 Printed in Canada



DIMENSIONS

SERIAL	PEM ORDER	PEM E2500 RING LIGHTS 2015 - 09 - 15	W.
		LED plates in this list are uni-voltage 12VAC, 12VDC & 24VDC	
		LED plates in this list have 20 degrees light output, for other outputs - please enquire	
		LED plates in this list are of canadian assembled components	
#	#	Clamps to Stand Pipe, 2" NPT/BSPT	Kg
E15-334-500641	E2500-3	For:RGB (15W-Red,15W-Green,15W-Total 15w-Blue-15W, DMX 3 - 4 Channel, 5 Conductor Cable 12 VAC/12 VDC/24 VDC, DMX , Electrical Cable, 9.0' / 2.7m x 18-5 AWG, H0R7N-F - 4 X 1.5mm2	5.3
E15-334-500642	E2500-4	For:RGB (15W-Red,15W-Green,15W-Blue-15W Warm White, DMX 4 Channel, 5 Conductor Cable 12 VAC/12 VDC/24 VDC, DMX , Electrical Cable, 9.0' / 2.7m x 18-5 AWG, H0R7N-F - 4 X 1.5mm2	5.3
E15-334-500643	E2500-6	For: Warm White, 60W, No DMX, 3 Conductors Cable 24 VDC, No DMX, Electric Cable SOW, 9.0' / 2.7m x 18-3 AWG, H0R7N-F - 2 x 1.5 mm2	5.0
E15-334-500645	E2500-6A	For: Warm White, 60W, DMX, Dimming, 5 Conductor Cable 24 VDC, DMX Parallel, Electrical Cable, 9.0' / 2.7m x 18-5 AWG, H0R7N-F - 4 X 1.5mm2	5.3
E15-334-500644	E2500-8	For: Cold White, 60W, No DMX, 3 Conductor Cable 24 VDC, No DMX, Electric Cable SOW, 9.0' / 2.7m x 18-3 AWG, H0R7N-F - 2 x 1.5 mm2	5.0
E15-334-500646	E2500-8A	For: Cold White, 60W ,DMX Dimming,5 Conductor Cable 24 VDC, DMX Parallel, Electrical Cable, 9.0' / 2.7m x 18-5 AWG, H0R7N-F - 4 X 1.5mm2	5.3
	Add to Above		
	Order #	SPRAY PLATE (Also available custom made at extra cost.)	
E15-334-4340-20	E2500-20	IN PIPE INSTALLABLE & REMOVABLE WITH PEM E2500-25 INSERTION KEY WRENCH 9" / 229mm long, 2" Brass Pipe with Coupling (NPT/BSP), with into pipe threaded spray plate with 24 x 0.125" / 3.0mm orifices in 38.2mm/1.5" Diam. Circle with 5 degree outside drop .	2.7
E15-334-4340-25	E2500-25	PEM E2500-25 INSERTION / REMOVE (2 point) KEY WRENCH	0.3
	Add to Above		
	Order #	Cast Bronze Fixture Additions for other than on stand pipe installation	
E15-334-4306-231	E2500-231	Narrow Grout Frame Mounting, 285.75mm - 9.53" OD	3.8
E15-334-4305-232	E2500-232	Wide Grout Frame Mounting, 309.88mm - 11.50" OD	4.7
E15-334-4305-237	E2500-237	Square 279.4mm/11.001" Slab Clamp for 254mm -10.0"Opening in 76.2 mm-3"Concrete Slab	8.9
E15-334-4305-239	E2500-239	Circular 279.4mm/11.001" Slab Clamp for 254mm -10.0"Opening in 76.2 mm-3"Concrete Slab	8.7
		Please contact PEM Sales Department for recommendations about: Cast Bronze Fixture Additions for other than on stand pipe installation	
		PEM LED Lightfixture Junction or Deck Boxes, In Pool Stand Pipe and PEM Penetration Fittings,	
		All PEM LED Lightfixtures shown herein include specialized canadian assembled LED components requiring up to date LED - DMX (512) Controls to function properly!	

Copyright © PEM Fountain Co- 2018 Printed in Canada

PEM E 2500 LED Ring Light



Copyright © PEM Fountain Co - 2018 Printed in Canada